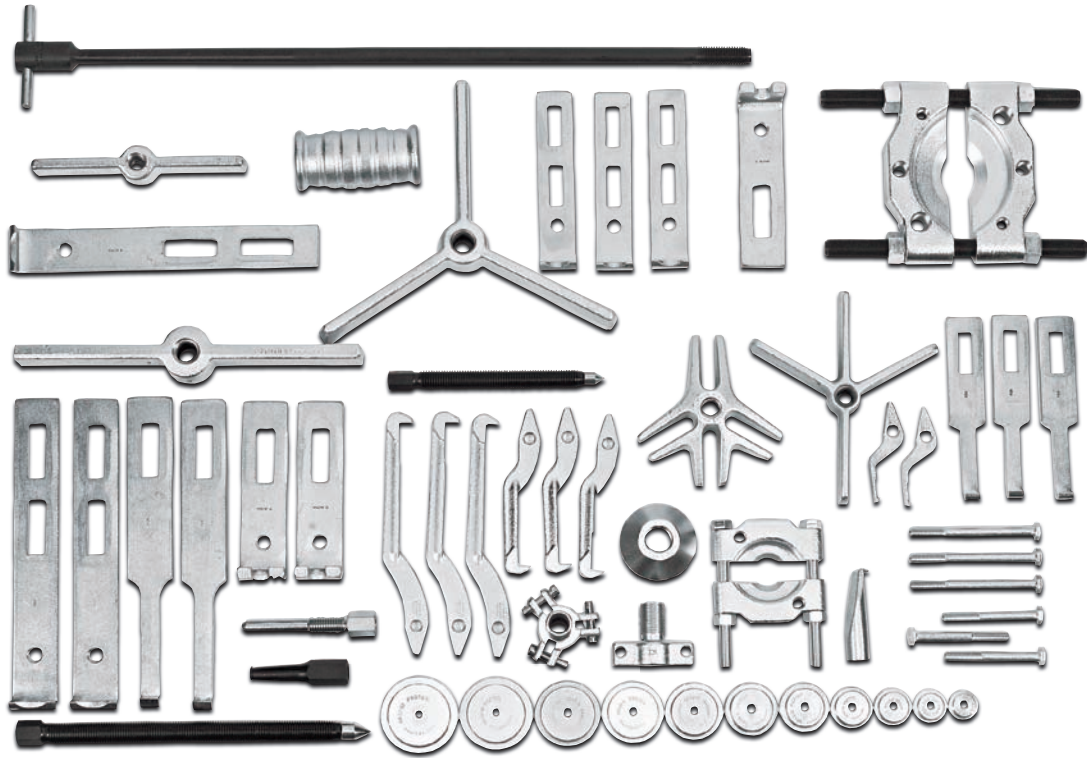


PROTO-EASE™ GENERAL PULLER SET

Product #: J4245

- Includes components to assemble a wide variety of 3 ton, 6 ton, 10 ton, slide hammer and threaded part pullers.



Contents	Description	Qty.
J4005C	Cap Screw, 3/8"-24 UNF x 3"	3
J4011S	Spring Clip	3
J4016A	Dual-Reach Jaws	1
J4017	Long Narrow Jaw	1
J4018	Cap Screw Jaw	1
J4021S	Jaw Spring Clip	3
J4026A	Dual Reach Jaw	3
J4027	Narrow Jaw	3
J4040	Step Plate Adapter Set	1
J4056-2	Inside Jaw, 2" Reach	2
J4205B	Slotted Crossarm 2-Way/3-Way	1
J4205E	Cap Screw, 3/8"-16 UNC x 4"	3

Contents	Description	Qty.
J4206CA	2-Way Crossarm	1
J4208CA	2-Way/3-Way Crossarm	1
J4227CA	3-Way Crossarm, 11" Long	1
J4234	10 Ton 2-Way Straight Jaw Puller Set	1
J4252	6 Ton 2-Way/3-Way Cone Puller Set	1
J4256S	Inside-Hook Jaw	1
J4260H	2-1/2 lbs Slide Hammer	1
J4260R	T-Handle Slide Rod, 24" Long	1
J4280	Set Puller Blind Bearing	1
J4331	Gear and Bearing Separator, 2-13/32" Capacity	1
J4332	Gear and Bearing Separator, 4-3/8" Capacity	1

Weight (lbs): 46.13

